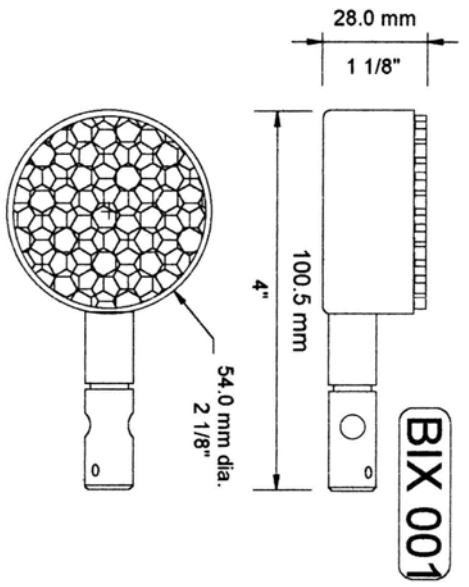
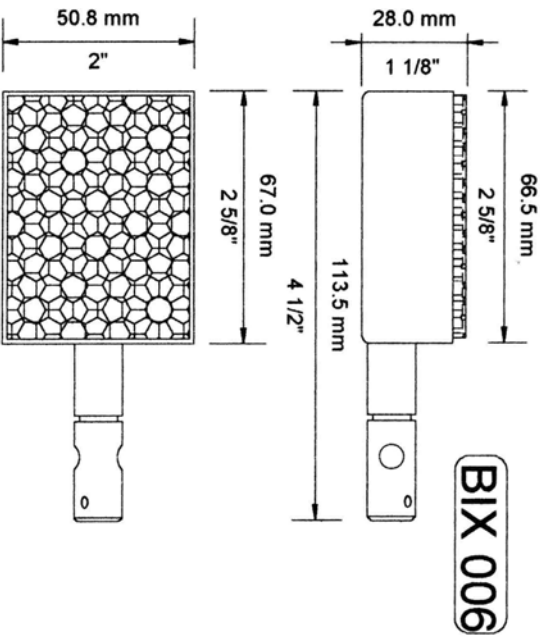


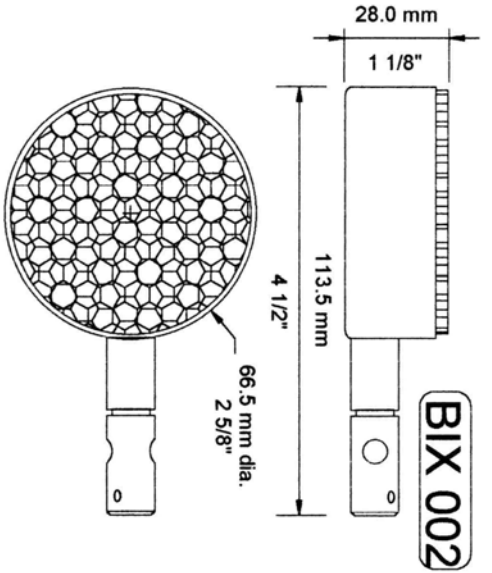
BIX GAS BURNERS Dimensions & technical details sheet 1



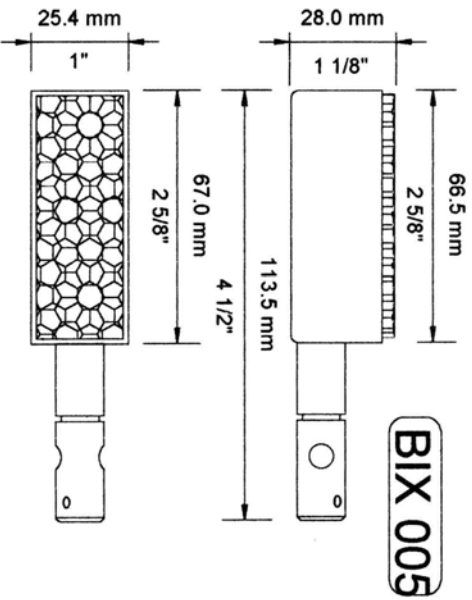
JET SIZE 8



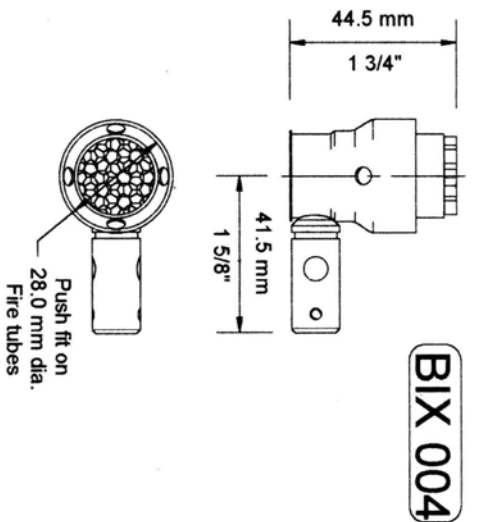
JET SIZE 8



JET SIZE 8 12 16



JET SIZE 8



JET SIZE 8

COPYRIGHT		BIXHEAD ENGINEERING	
DRAWN	MATERIAL	FILE NAME	burnerdimensions.TCW
MM		DATE	05/07/06
SCALE	1 : 2	REV	0
DRAWN BY		BDS	